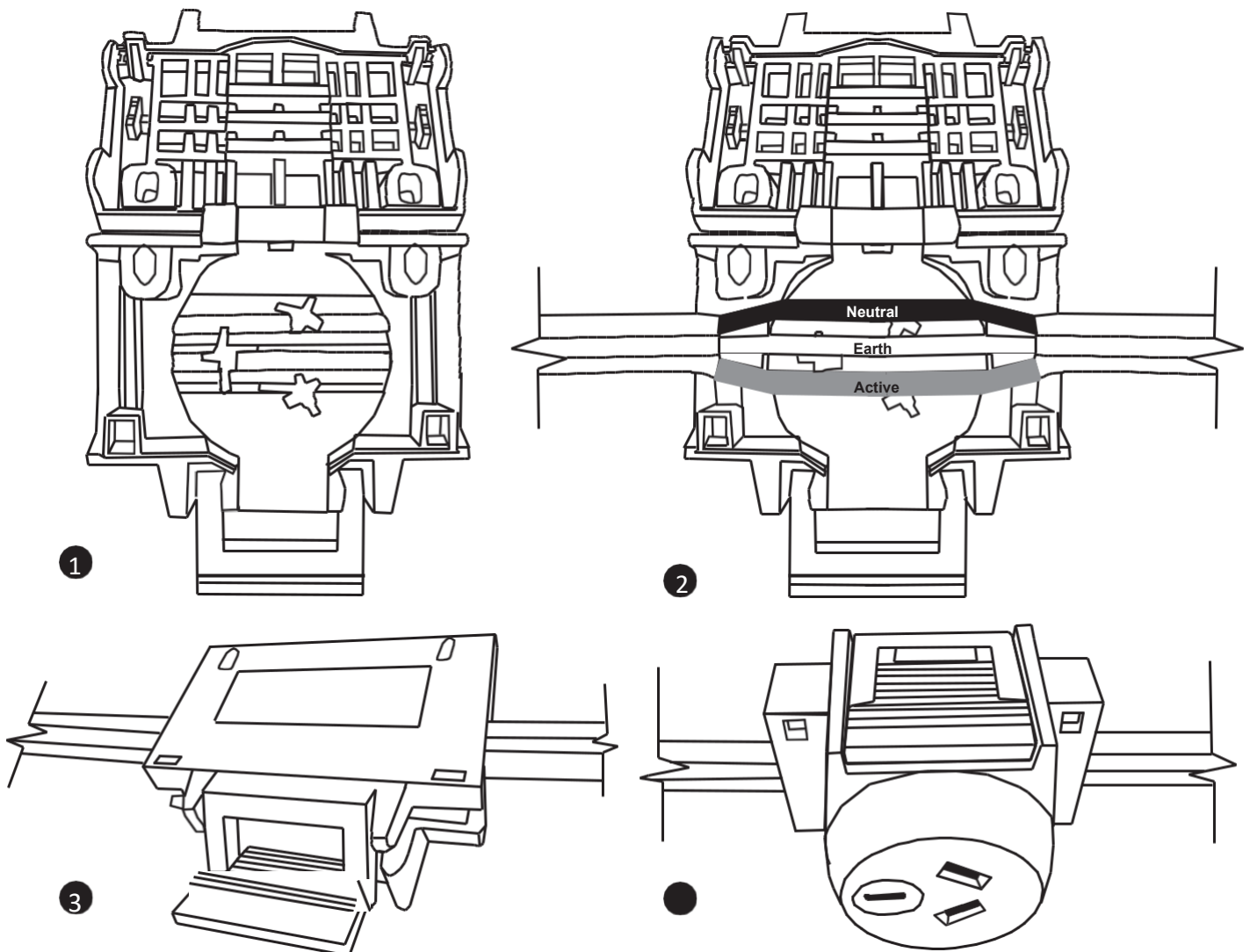


Installation Instructions



1. Fully open the EzyFix lid to access the connection channels.
2. Strip the outer sheath only from the cable, leaving single insulation to a length of 45mm. A stripping length guide is found on the lid of the EzyFix.
3. Separate individual cables and place each in the EzyFix base channel according to the colour guide, 1mm² to 2.5mm² stranded or solid wire range.
4. Close the EzyFix lid, ensuring cables remain in their correct channel, and pull lever to the closed position.

Connecting pins will pierce through the insulation and securing clips will hold the connections in place. Once clips have engaged the EzyFix cannot be opened without the use of a tool. To open the EzyFix, place a small screwdriver in the securing clip found on the moulding, and twist. Repeat on the other side of the EzyFix. If re-using the EzyFix, do not use the same piercing pin location from previous connections.

Rating: 10A 250V a.c

⚠ Warning: This product must be installed by qualified persons.